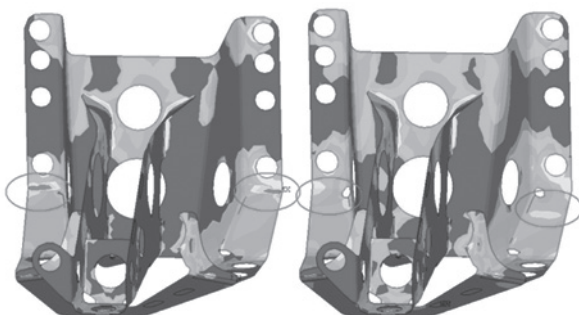
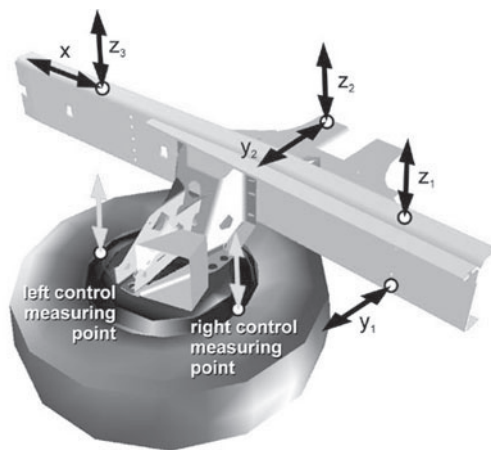




LOADS Durability

LOADS durability enables the user to analyse any SIMPACK model regarding the durability and strength of its bodies under dynamic and static loading. The interface exactly meets the most important requirement of durability calculations: Transient calculation of stresses in short computation times.



For further information or an in-house demonstration please contact



Steve Mulski
Project Manager/Sales Manager
INTEC GmbH
Argelsrieder Feld 13
D-82234 Wessling

Tel: 0049 8153 9288 -41
Fax: 0049 8153 9288 -11
e-mail: steve.mulski@simpack.de



Steps of the process

- analyse your SIMPACK Model in the time domain
- select a rigid or flexible body for durability analysis
- select the time range for durability analysis
- export all corresponding data
- calculate the stresses by running the FEA based on SIMPACK's output
- read all data into the durability software and obtain the lifetime of the component

LOADS Durability

- enables us to consider the influence of natural vibrations
- prepares fast and accurate stress calculations
- generates all output data for the durability software
- generates all output data for the stress calculation by FEA
- the coupled FEA-MBD process is significantly faster than a transient FEA
- the coupled FEA-MBD process saves hardware resources regarding memory and disk space
- applies to SIMPACK's flexible and rigid bodies as well

SIMPACK products:

- Basic Module
Kinematics & Dynamics
- Add-on Modules
Automotive⁺, Wheel/Rail, CONTROL, USER, Symbolic
Accelerator, Code Export, SIMBEAM
- Add-on Interfaces to CAD
CATIA V4, Pro/ENGINEER, I-DEAS
- Add-on Interfaces to FEM
ABAQUS, ANSYS, I-DEAS, MSC.MARC, MSC.NASTRAN, PERMAS
- Add-on Interfaces CONTROL
MATLAB Simulink, AMESim

SIMPACK available operating systems:

- Silicon Graphics Workstation with IRIX 6.5
- Personal Computer with Windows NT 4.0 or Windows 2000
- Hewlett Packard Workstations with HP-UX 11
- IBM Workstations with AIX 4.1, 4.2 or 4.3

For further information or
an in-house demonstration
please contact

intec

Steve Mulski
Project Manager/Sales Manager
INTEC GmbH
Argelsrieder Feld 13
D-82234 Wessling

Tel: 0049 8153 9288 -41
Fax: 0049 8153 9288 -11
e-mail: steve.mulski@simpack.de