



Accurate · Fast · Robust · Versatile

SIMPACK SPACE

Application

What is SIMPACK?

SIMPACK is a general-purpose multi-body simulation (MBS) software tool which is used to aid the development of any mechanical or mechatronic device, ranging from single components through to complete systems (e.g. wind turbines, vehicles, and high performance Formula 1 engines). All SIMPACK products are 100% compatible.

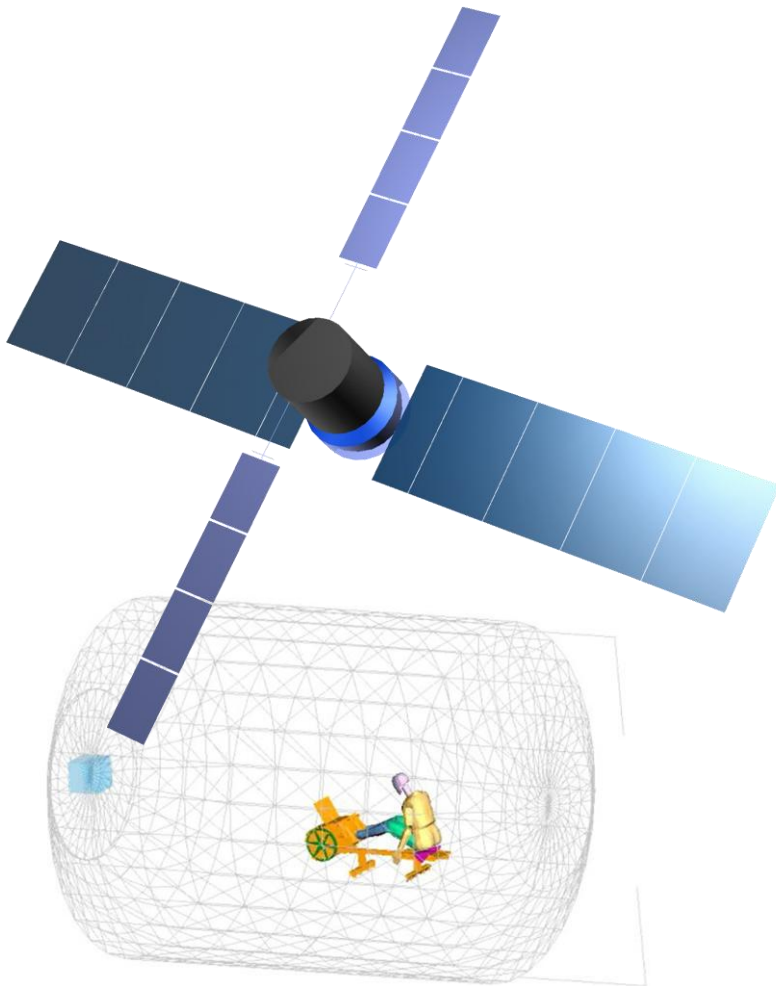
SIMPACK Space is tailored to the specific requirements of the aerospace sector.

Applications:

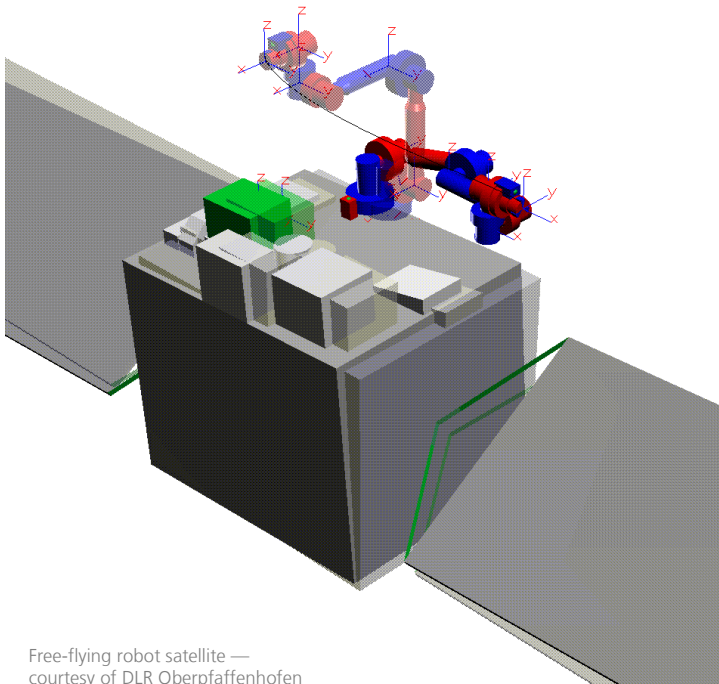
- Simulation of any aeronautical design
- Open and closed loop systems
- Resonance analysis
- Stochastic and transient response
- Geometric and material modification
- Hardware-Software-in-the-loop
- Lift-off and touch down analyses
- Payload separations
- Planetary rover maneuvers
- Solar panel deployment, robotics, etc.

Highlights:

- Unlimited flexibility
- Highly efficient algorithm and solver
- Extreme non-linear system behavior (e.g. shock-excitation)
- Acoustic and fatigue analyses in the frequency and time domain
- High-end interface to CACSD codes (MATLAB® and Simulink®)
- IPC co-simulation interface
- Batch jobs
- Automatic analysis reports
- Incorporation of user code



Two satellites attached with flexible connection, flywheel — courtesy of ESA



Free-flying robot satellite — courtesy of DLR Oberpfaffenhofen

Features:

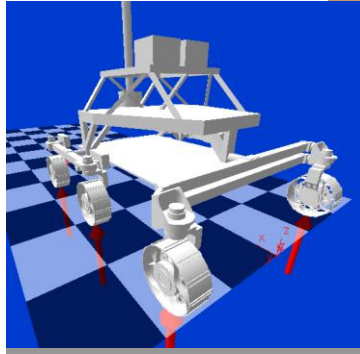
- Flexible body generation within SIMPACK
- Non-linear bending
- Importation of flexible bodies from FEM codes
- Posterior fatigue analysis with FEMFAT or FAT4FEM
- Durability
- Contact mechanics
- Optimization
- Code Export

Interfaces to:

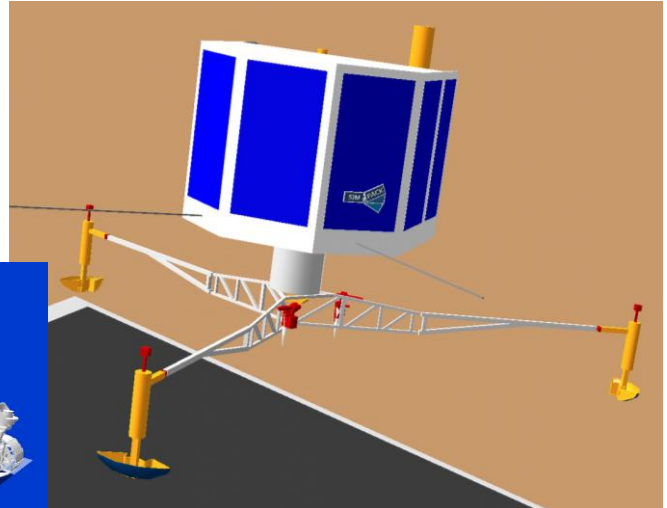
- Aerodynamic software
- CAD software
- Control software
- FEM software
- Fluid dynamic simulation tools
- Fatigue analysis software
- Optimization tools
- In-house software

Operating systems:

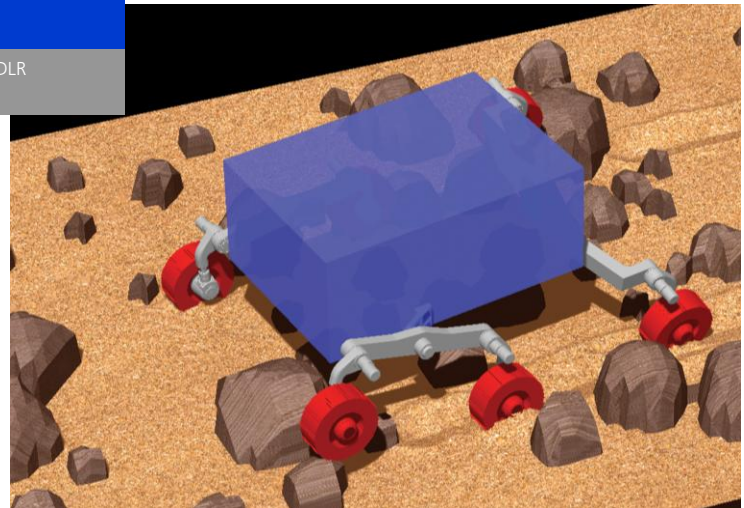
- Windows and Linux.
- See: www.SIMPACK.com/platforms.html



Mars Rover — courtesy of DLR Oberpfaffenhofen



Rosetta Lander — courtesy of Max-Planck Institute



Mars Rover — courtesy of DLR Oberpfaffenhofen

SIMPACK Customer Solution Centers

Germany

Worldwide Headquarters

SIMPACK AG
Friedrichshafener Strasse 1
82205 Gilching, Germany

Phone: +49 (0)8105 77266-0
Fax: +49 (0)8105 77266-11
sales@SIMPACK.de
www.SIMPACK.com

USA

SIMPACK US Inc.
Robert Solomon
25925 Telegraph Road, Suite 101
Southfield Michigan 48033, USA

Phone: +1 248 996-8750
Fax: +1 248 996-8930
Mobile: +1 251 923 9566
info@SIMPACK-US.com
www.SIMPACK.com

France

SIMPACK France S.A.S.
Immeuble "Le President",
4eme étage
40, Avenue Georges Pompidou
69003 Lyon, France

Phone : +33 (0)437 5619-71
info@SIMPACK.fr
www.SIMPACK.com

Japan

SIMPACK Japan K.K.
5F Okubo Bldg.
2-4-12 Yotsuya
Shinjuku-ku
Tokyo 160-0004, Japan

Phone: +81 (0)3 5360-6631
Fax: +81 (0)3 5360-6632
info@SIMPACK.jp
www.SIMPACK.jp

Great Britain

SIMPACK UK Ltd.
The Whittle Estate
Cambridge Road
Whetstone
Leicester LE8 6LH, UK

Phone: +44 (0)116 27513-13
Fax: +44 (0)116 27513-33
Mobile: +44 (0)7767 416 656
info@SIMPACK.co.uk
www.SIMPACK.co.uk