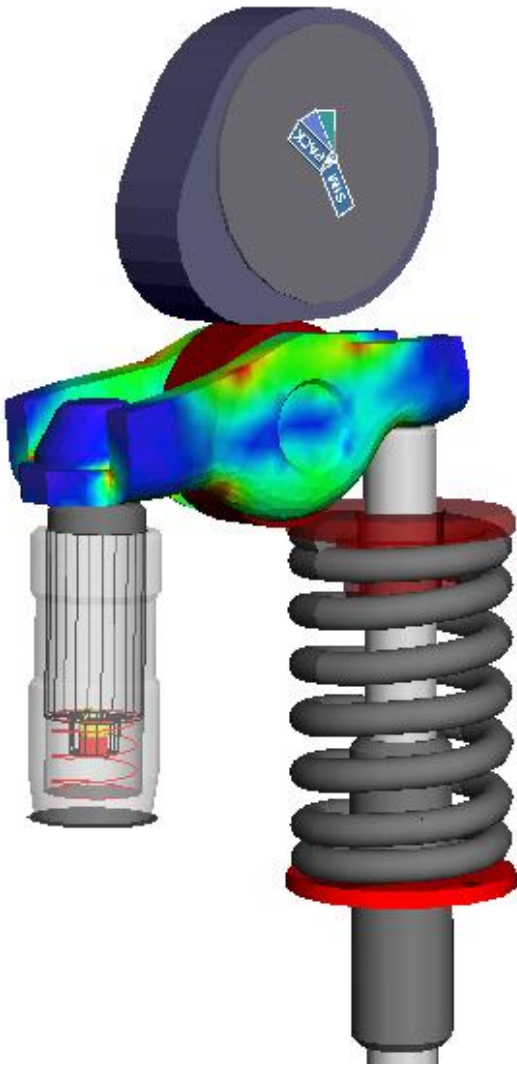




Accurate · Fast · Robust · Versatile

# SIMPACK STRESS

Add-On Module



## What is SIMPACK?

SIMPACK is a general purpose multi-body simulation (MBS) software tool which is used to aid the development of any mechanical or mechatronic device, ranging from single components through to complete systems (e.g. wind turbines, vehicles, and high performance Formula 1 engines). All SIMPACK products are 100% compatible.

## What is SIMPACK Stress?

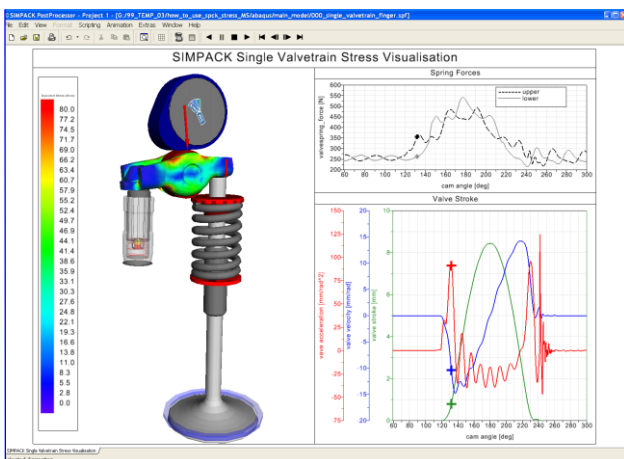
SIMPACK Stress is an add-on module to calculate and display stresses in the SIMPACK PostProcessor. Durability analyses are optionally available via interfaces to durability software tools.

## Applications:

- Estimation of mechanical strength
- Identification of critical loads
- Durability and fatigue analysis
- Optimization

## Highlights:

- Detect weak spots under realistic loading
- Consider entire system behavior
- Calculate stresses fast and precisely
- Stresses for long time maneuvers
- Interfaces to third party software
- Batch jobs



## Features:

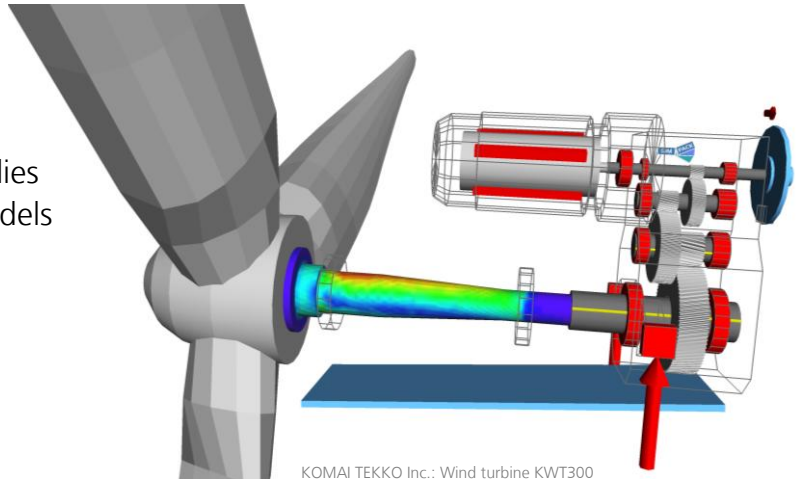
- Dynamic and static stress calculation for flexible bodies
- Quasi static stress calculation for rigid bodies
- Stress calculation for complete system models
- 2D plots of stresses
- 3D contour plots of stresses

## Interfaces to:

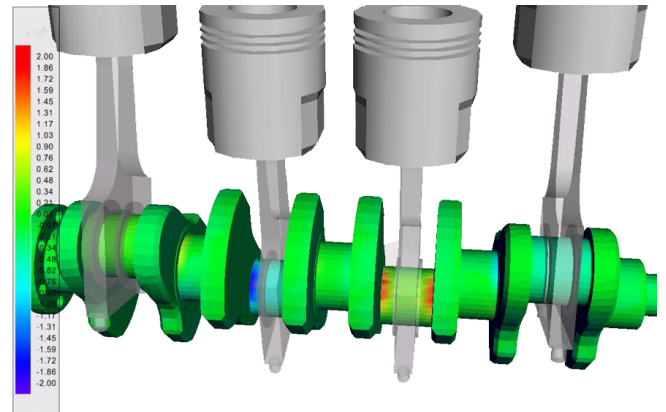
- ABAQUS
- ANSYS
- FEMFAT
- NX Nastran
- MSC Nastran
- Optimization tools

## Operating systems:

- Windows and Linux.  
See: [www.SIMPACK.com/platforms.html](http://www.SIMPACK.com/platforms.html)



KOMAI TEKKO Inc.: Wind turbine KWT300



## SIMPACK Customer Solution Centers

### Germany

#### Worldwide Headquarters

SIMPACK AG  
Friedrichshafener Strasse 1  
82205 Gilching, Germany

Phone: +49 (0)8105 77266-0  
Fax: +49 (0)8105 77266-11  
sales@SIMPACK.de  
www.SIMPACK.com

### USA

SIMPACK US Inc.  
Robert Solomon  
25925 Telegraph Road, Suite 101  
Southfield Michigan 48033, USA

Phone: +1 248 996-8750  
Fax: +1 248 996-8930  
Mobile: +1 251 923 9566  
info@SIMPACK-US.com  
www.SIMPACK.com

### France

SIMPACK France S.A.S.  
Immeuble "Le President",  
4eme étage  
40, Avenue Georges Pompidou  
69003 Lyon, France

Phone : +33 (0)437 5619-71  
info@SIMPACK.fr  
www.SIMPACK.com

### Japan

SIMPACK Japan K.K.  
5F Okubo Bldg.  
2-4-12 Yotsuya  
Shinjuku-ku  
Tokyo 160-0004, Japan

Phone: +81 (0)3 5360-6631  
Fax: +81 (0)3 5360-6632  
info@SIMPACK.jp  
www.SIMPACK.jp

### Great Britain

SIMPACK UK Ltd.  
The Whittle Estate  
Cambridge Road  
Whetstone  
Leicester LE8 6LH, UK

Phone: +44 (0)116 27513-13  
Fax: +44 (0)116 27513-33  
Mobile: +44 (0)7767 416 656  
info@SIMPACK.co.uk  
www.SIMPACK.co.uk